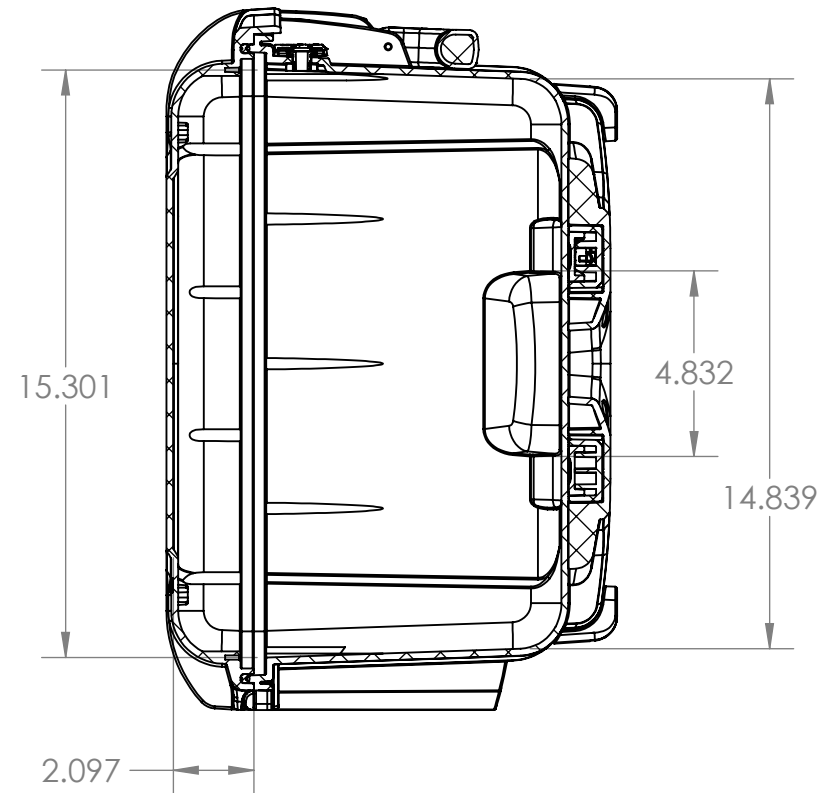
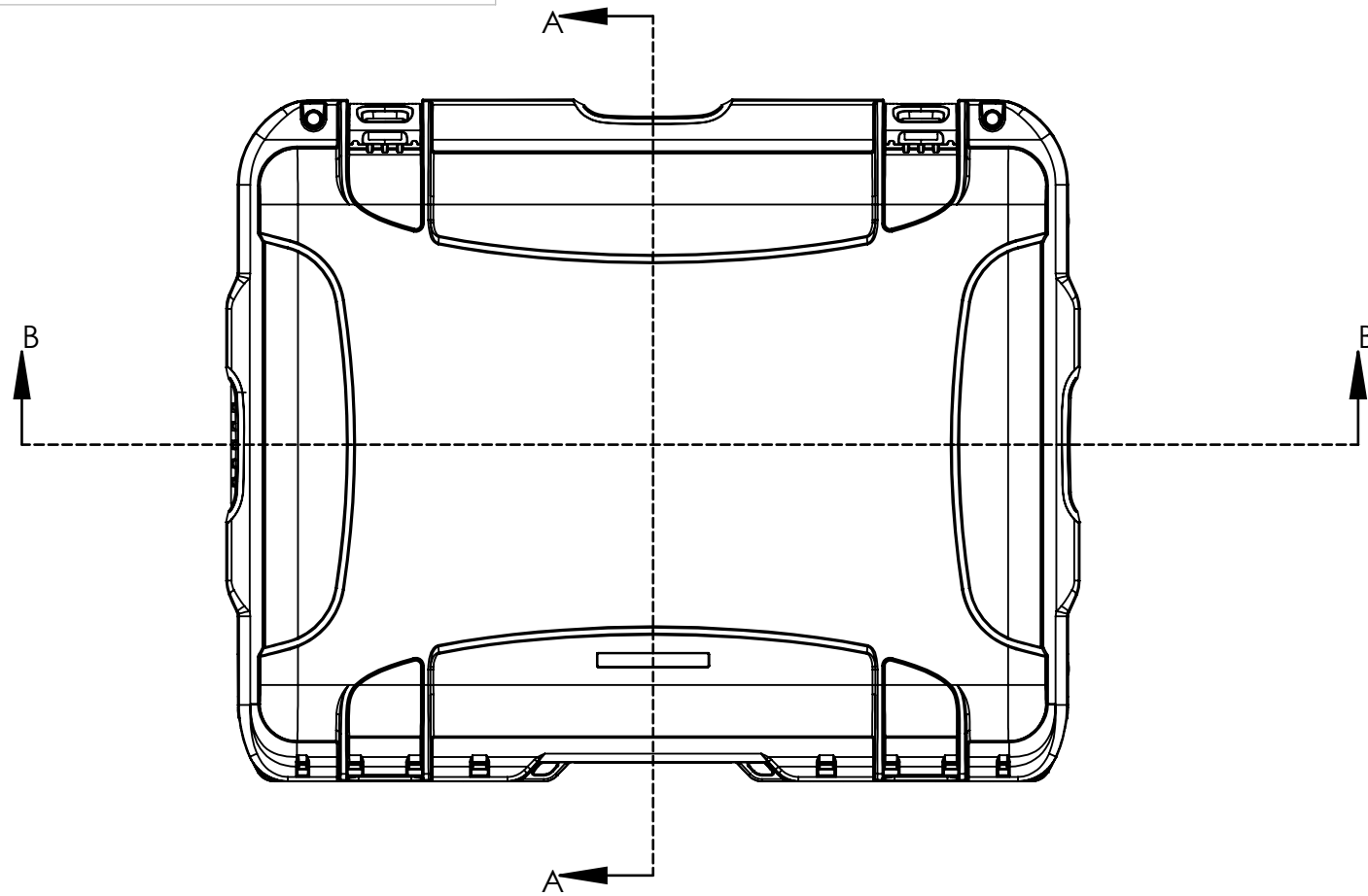
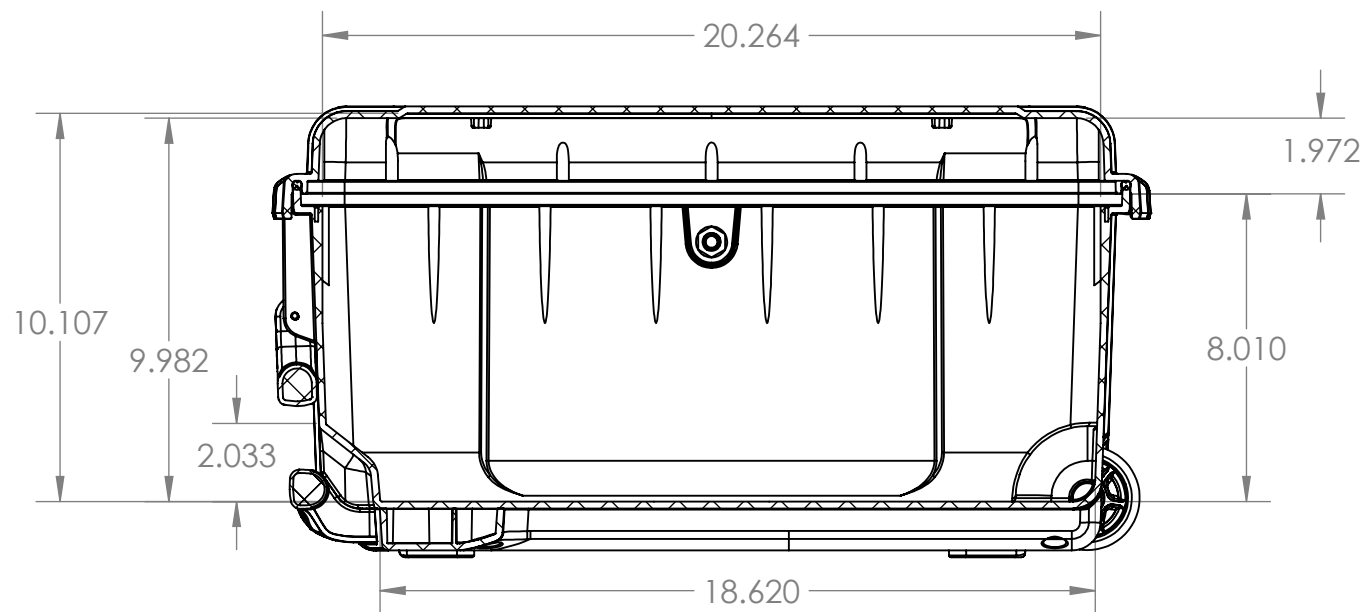


THE INFORMATION CONTAINED IN THIS DRAWING IS THE SOLE PROPERTY OF PLASTICASE ANY REPRODUCTION IN PART OR WHOLE WITHOUT THE WRITTEN PERMISSION OF PLASTICASE IS PROHIBITED.

REVISIONS			
REV.	DESCRIPTION	DATE	APPROVED



SECTION A-A



SECTION B-B

PARTS LIST			
UNLESS OTHERWISE SPECIFIED DIMENSIONS ARE IN INCHES	CAD GENERATED DRAWING, DO NOT MANUALLY UPDATE		PLASTICASE
	APPROVALS	DATE	
MATERIAL	DRAWN	P.L.O. 06/09/2013	NANUK 950
	CHECKED		
FINISH	RESP ENG		SIZE B
	MFG ENG		
DO NOT SCALE DRAWING	QUAL ENG		DWG. NO.
SCALE 1:5		CAD FILE: 950_Assembly	REV.
SHEET 1 OF 1			